

Marc Tischler, PhD  
DMH Block Director

Susan Ellis, MS  
Manager, Curriculum  
& Assessment (3213)

Hal Strich, MPH  
Threads Director  
MD/MPH Program

Amy L. Waer, MD  
Associate Dean, Medical Student Education

Diane Poskus  
Program Manager Years 3 & 4

Bryna Koch, MPH  
Director, Program  
Evaluation & Student  
Assessment

Carlos Gonzales, MD  
Assistant Dean  
Director, CUP &  
RRHP

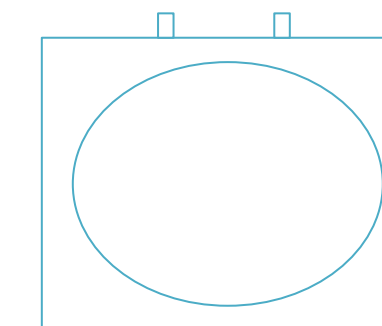
Hildi Williams  
Block Coordinator

Mike Gura, MPH  
Program Analyst

Gail Pritchard, PhD  
Resident Development

Karen Spear-Ellinwood, PhD, JD, EdS\*  
Director, Faculty Instructional Development  
(Residents as Educators)

RECEPTION AREA



From  
elevators  
3rd Floor >>>

OMSE Main Entry  
Rm. 3204

3215 (this door usually closed)

3221

HALLWAY

Rm 3220

Marc Tischler, PhD  
Block Director

Susan Ellis, MS  
Assessment of  
Student Performance

Hal Strich,  
MPH

Office  
1363 sq. ft.

Amy Waer, MD  
Associate Dean  
Medical Student Education

Diane Poskus  
Program Manager  
Years 3 & 4

Office  
501 sq. ft.

RECEPTION AREA

Celia O'Brien, PhD  
Director  
Medical Education  
Research & Evaluation

Gail Pritchard, PhD  
Resident Development

Carol Galper, PhD  
Assistant Dean  
CUP & RRHP

Hildi Williams  
Block Coordinator

Bryna Koch, MPH  
Program Evaluation

Karen Spear-Ellinwood, PhD, JD, EdS  
Faculty & Resident  
Instructional Development

MAIN DOOR - 3204

3215 (this door usually closed)

